



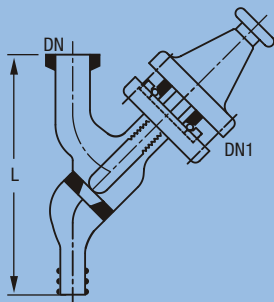
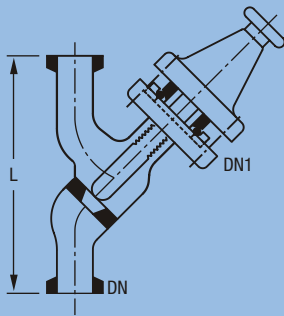
VALVES

The valves are essential part of any chemical process plant, pharmaceuticals and allied industries in a wide range of application from relatively simple on/off function to control, pressure relief and filtering.

The valve bodies are of borosilicate glass and PTFE bellows. The PTFE bellows is flanged at one to seal between the valve body and bonnet part, as a result operation of the valve can be checked visually. In practically every case glass is combined with PTFE, which ensures that the valves have maximum resistance to corrosion. All the valves in the range are suitable to use under full vacuum.

LINE VALVES

DN	DN1	L	CAT. REF.
25	25	175	SPV 1
40	40	225	SPV 1.5
40	25	200	SPV 1.5/1
50	50	300	SPV 2
80	80	375	SPV 3

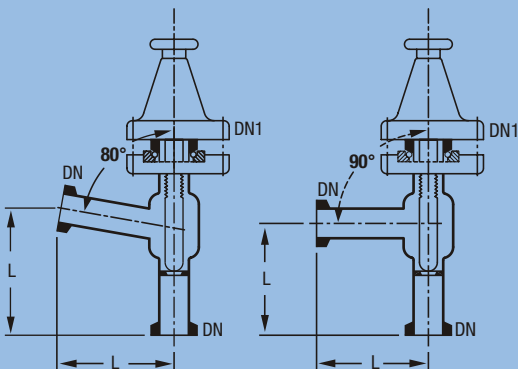


DN	DN1	L	CAT. REF.
25	25	175	SPVD 1
40	25	200	SPVD 1.5/1
40	40	225	SPVD 1.5
50	50	300	SPVD 2

ANGLE VALVES

DN	DN1	L	CAT. REF.
25	25	100	SPVE 1
40	40	150	SPVE 1.5
50	50	150	SPVE 2
80	80	200	SPVE 3

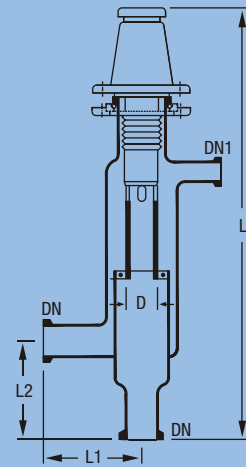
Angle valve can be provided in Both 90° & 80°.



ADJUSTABLE OVERFLOW VALVES

These valves provide an external adjustment of the level inside a vessel. They are ideal to use with liquid separators or liquid-liquid extractors. Its position can be adjusted within given limits to set the required overflow level.

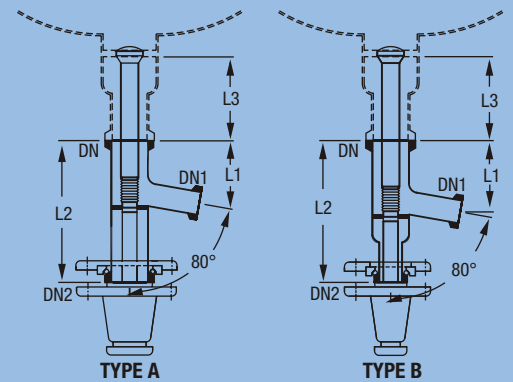
DN	DN1	D	L	L1	L2	I/HR.	CAT. REF.
25	25	25	420	100	50	600	SOF 1
40	25	25	600	150	90	900	SOF 1.5
50	25	35	600	150	90	1600	SOF 2



BOTTOM OUTLET VALVES

These valves prevent the accumulation of solids or liquid in the bottom outlet of a vessel. This valve can be incorporated in any spherical or cylindrical vessel.

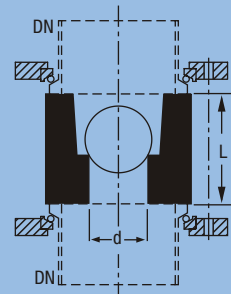
DN	DN1	DN2	L1	L2	L3	TYPE	CAT. REF.
40	25	40	70	115	120	A	SBAL 1.5
50	25	40	90	140	150		SBAL 2
40	25	25	90	150	160	B	SBAL 1.5
50	40	25	90	175	175		SBAL 2



NON-RETURN VALVES BALL TYPE

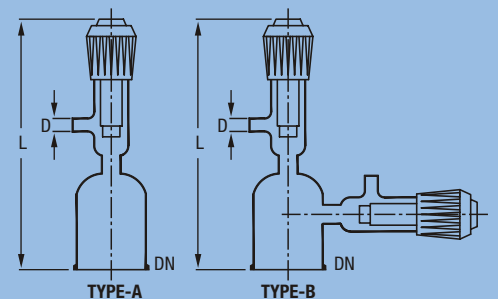
These valves are used in vertical lines only. They are clamped between buttress end using long bolts. The complete assembly comprises the glass body and the PTFE retaining plate.

DN	D	L	CAT REF.
25	10	25	SNRD 1
40	15	33	SNRD 1.5
50	20	41	SNRD 2
80	25	65	SNRD 3



VENT VALVES

DN	D	L	CAT. REF.
25	12	145	SVST 1
40	12	150	SVST 1.5



Notes